

S4OPTIK



EXAMINATION CHAIR

Model 2000-CH

Precise, professional, convenient.

The S4OPTIK 2000-CH Examination Chair –
powerful equipment with effortless controls.



Precision engineering

- Never miss a beat with effortless cradle tilt recline and perfect counterbalance thanks to the cradle track system
- Convenient patient positioning with the one-handed release and control mechanism, accessible on both sides of the chair



KleenTech[®] **lift system**

Smooth and silent

- Enjoy smooth, virtually silent lifting with the Swiss-made KleenTech[®] lift system
 - Holds up to 560lbs (254kg)
- Seat raises to 32.80" (83.3cm) and lowers to 21" (53.3cm)



Head and neck

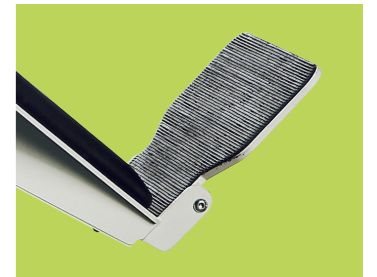
- Provide sturdy head and neck support with single-handed control and easy headrest positioning
- Rely on the positive, non-slip lock, no matter the location





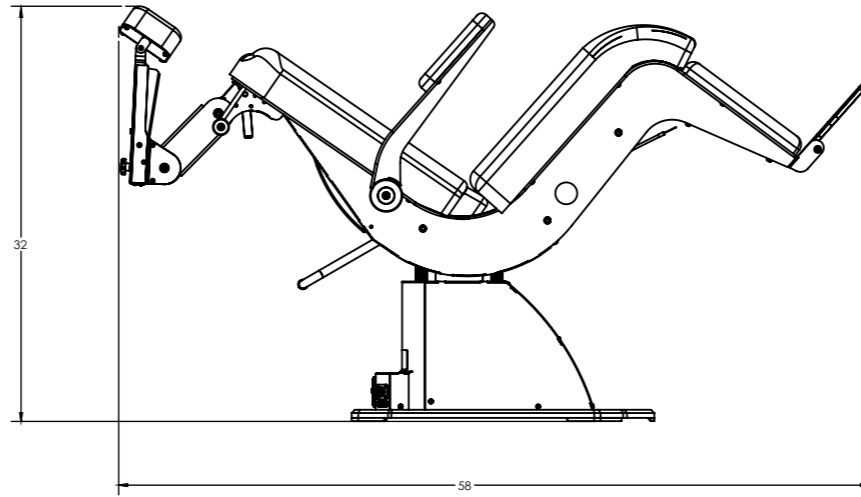
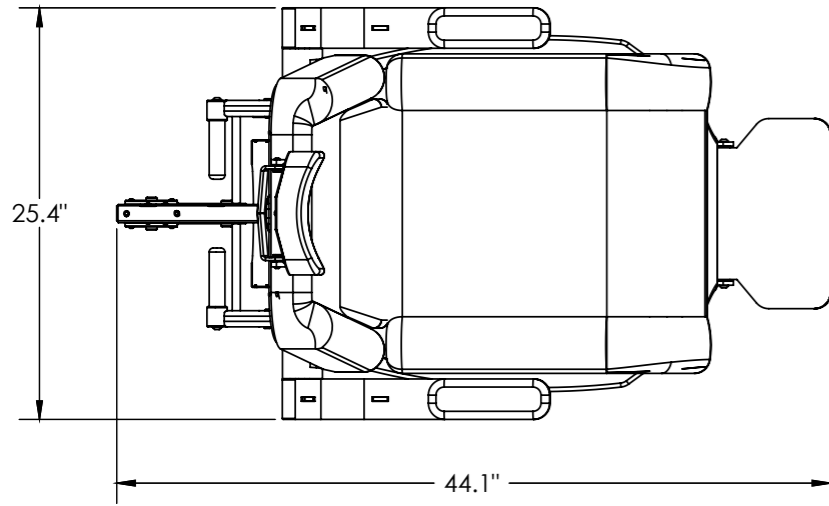
Flexibility and comfort

- Customize positioning for optimal treatment with individually retractable armrests
- Upholstered for maximum comfort
- Solid construction supports ingress and egress



Durable support

- Enjoy safe and easy ingress and egress with the large, broad and stable footrest
- Delivers sturdy support and retracts conveniently when not needed



S4OPTIK 2000-CH

Examination Chair Specs

Shipping Weight: **295 lb**

Gross Weight: **260 lb**

Baseplate: **22"x23.25"**

Lift Capacity (lb): **560 lb**

Ground to Seat: **21"**

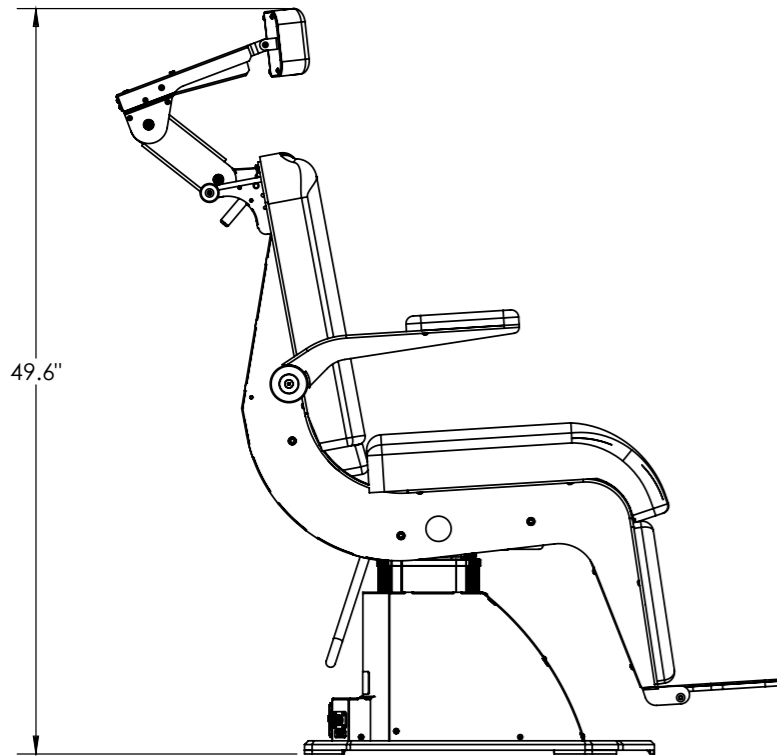
Lift Column Stroke: **11.8"**

Rotation: **360°**

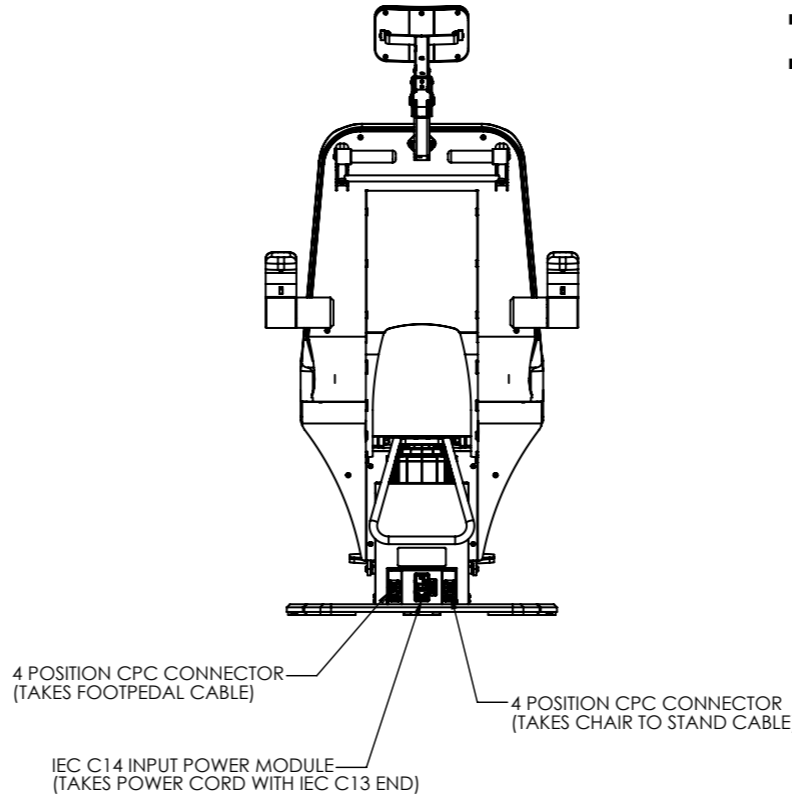
Tilt Mechanism: **Cradle Tilt**

Input Voltage: **100-240 VAC, 50/60Hz**

Fuses: **8A Main**



CHAIR UPRIGHT



About S4OPTIK

Modern Design, Quality Materials, Exceptional Value.

Understanding the unique needs of eye care practices all over the world, S4OPTIK delivers extraordinary value in high quality diagnostic equipment and accessories. With modern designs to enhance your office environment, competitive prices to help you manage your costs, and an industry leading warranty, S4OPTIK eye care instruments help you deliver the very best in patient care. Contact us today for pricing.