

# S4OPTIK



**SMART  
COMBO**  
Chair & Stand Units  
Optimizes space and functionality.

S4OPTIK Smart Combos offer affordable, space-saving chair and stand solutions.

# Advanced engineering and comfort

Save space and money with S4OPTIK's smart combos featuring superior examination chairs combined with precisely engineered instrument arms.

The small 44.8" (113.7cm) footprint provides efficient functionality and optimal patient comfort.



# chair options

## Combo 1000-CB



- Enjoy smooth, virtually silent lifting with the S4OPTIK 1000-CH Examination Chair, featuring the Swiss-made KleenTech® lift system
  - Offer comfort and flexibility with upholstered, individually retractable armrests
  - Rely on solid construction for fully-supported ingress and egress
    - Capacity up to 560lbs (254kg)
- Chair seat raises to 32.3" (82cm) and lowers to 20.5" (52.1cm)

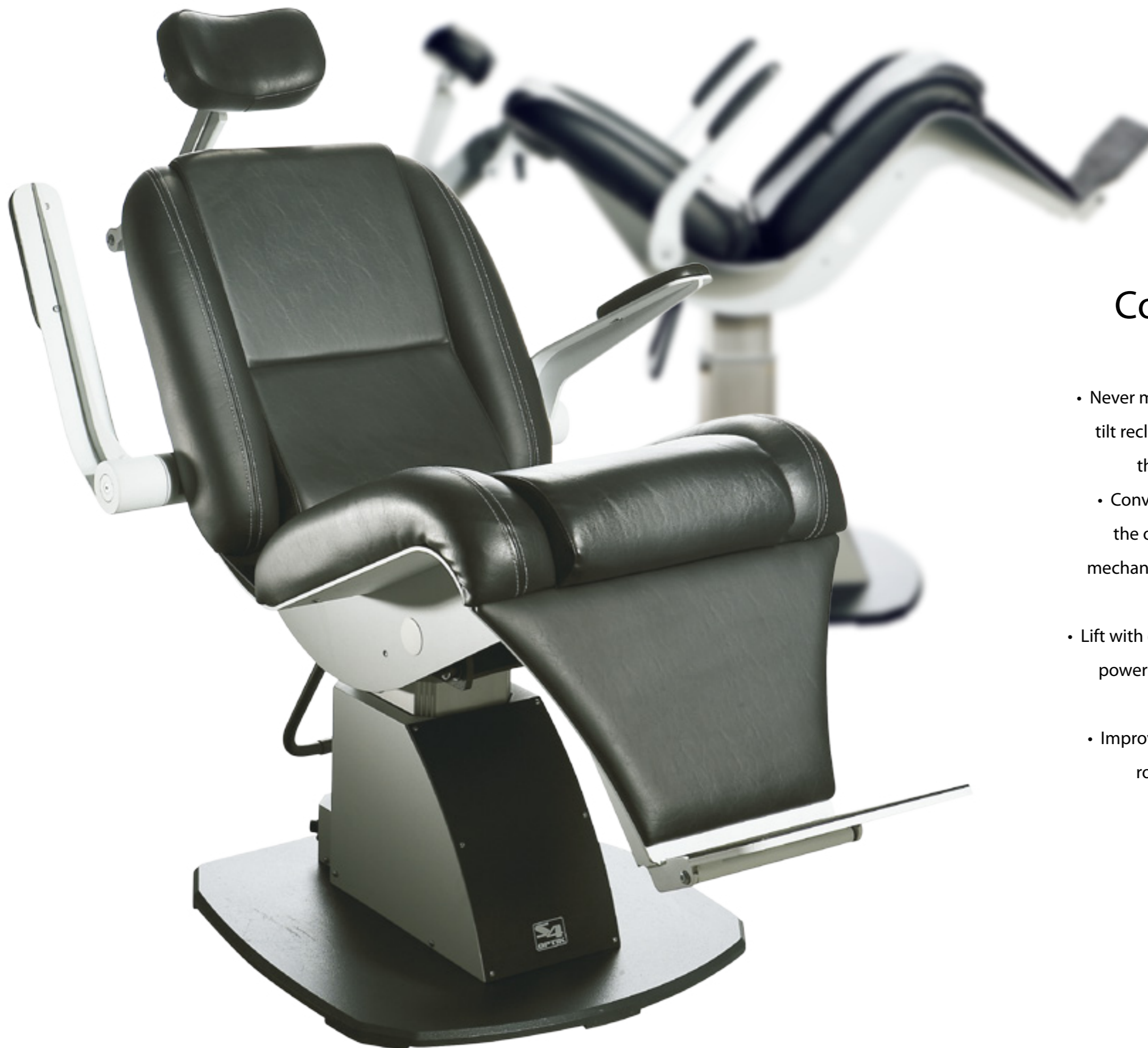




# chair options

## Combo 1800-CB Manual Recline

- Recline up to 170° with the S4OPTIK 1800-CH Examination Chair's pneumatically assisted pivot tilting mechanism and one-handed control and release mechanism
- Lift with ease using the strong, yet silent power lift system with sensible height control locations
- Improved headrest design, intelligent rotation lock, robust footrest and functional armrests



# chair options

## Combo 2000-CB Cradle tilt

- Never miss a beat with effortless cradle tilt recline and perfect counterbalance thanks to the cradle track system
- Convenient patient positioning with the one-handed release and control mechanism, accessible on both sides of the chair
- Lift with ease using the strong, yet silent power lift system with sensible height control locations
- Improved headrest design, intelligent rotation lock, robust footrest and functional armrests



# chair options

## Combo 2500-CB

### Motorised recline

- Recline with ease thanks to the precision engineered motorized auto recline system
  - Extend from seated to supine, and any position in between
  - Simply press the membrane switch on either side of the chair to recline, return or stop
    - Memory button - Have a favourite position? one button gets you there
    - Child lock - Safety locks all buttons
- Lift with ease using the strong, yet silent power lift system with sensible height control locations
- Improved headrest design, intelligent rotation lock, robust footrest and functional armrests



# stand features

## Slit Lamp Arm

- Add a superior achievement in engineering to your practice with this fully counterbalanced arm featuring full function and range
- Convenient lock/release mechanism at your fingertips
- Easily accommodate all patients with 13.5" (34.2cm) range of travel and counter balance up to 60lbs (27.2kg)
- Choose from right-handed or left-handed up/down switch configuration with reversible arm positioning





# stand features

## Halogen Overhead Light

- Combine form and function with the modern design of this long-lasting halogen lamp
- Use bright, direct light for general lighting or minor procedures
- Rely on durable metal lamp arm construction for stable, one-handed movements
- Safe, low-voltage (12V) overhead lamp





# stand features

## Upper Arm (Refractor)

- Support natural and comfortable hand movements with the lock/release lever
- Engage a single lock mechanism in all three dimensions (forward/backward/vertical)
  - Enjoy precise and effortless positioning with the 12.5" (31.75cm) vertical range and counter balance up to 20lbs (9.1kg)



# console features

- three rechargeable wells
- up/down and auto return for chair
- BIO power source with rheostat
- overhead light control with rheostat
- main power on/off switching





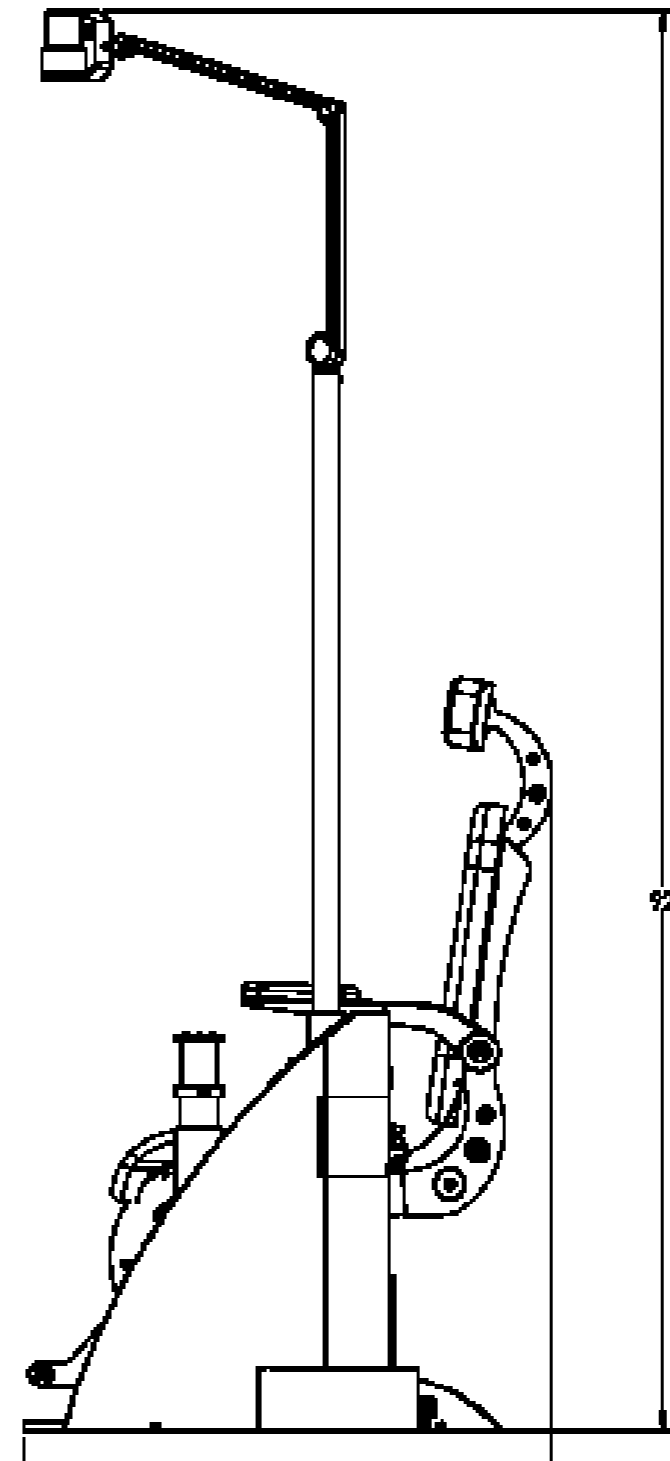
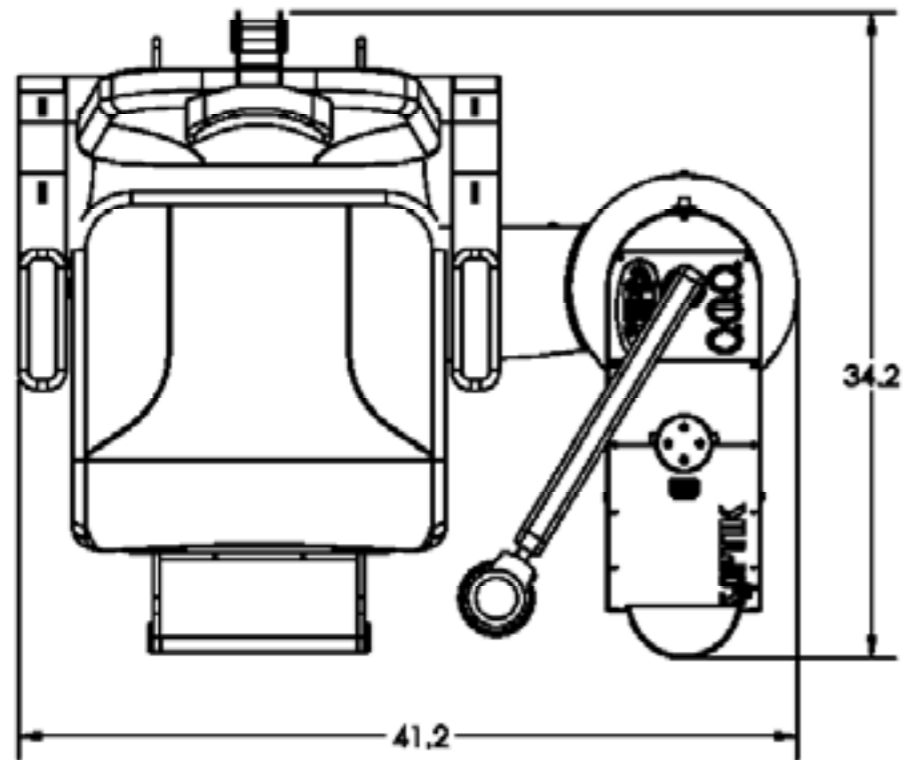


## console options

### Extra Features

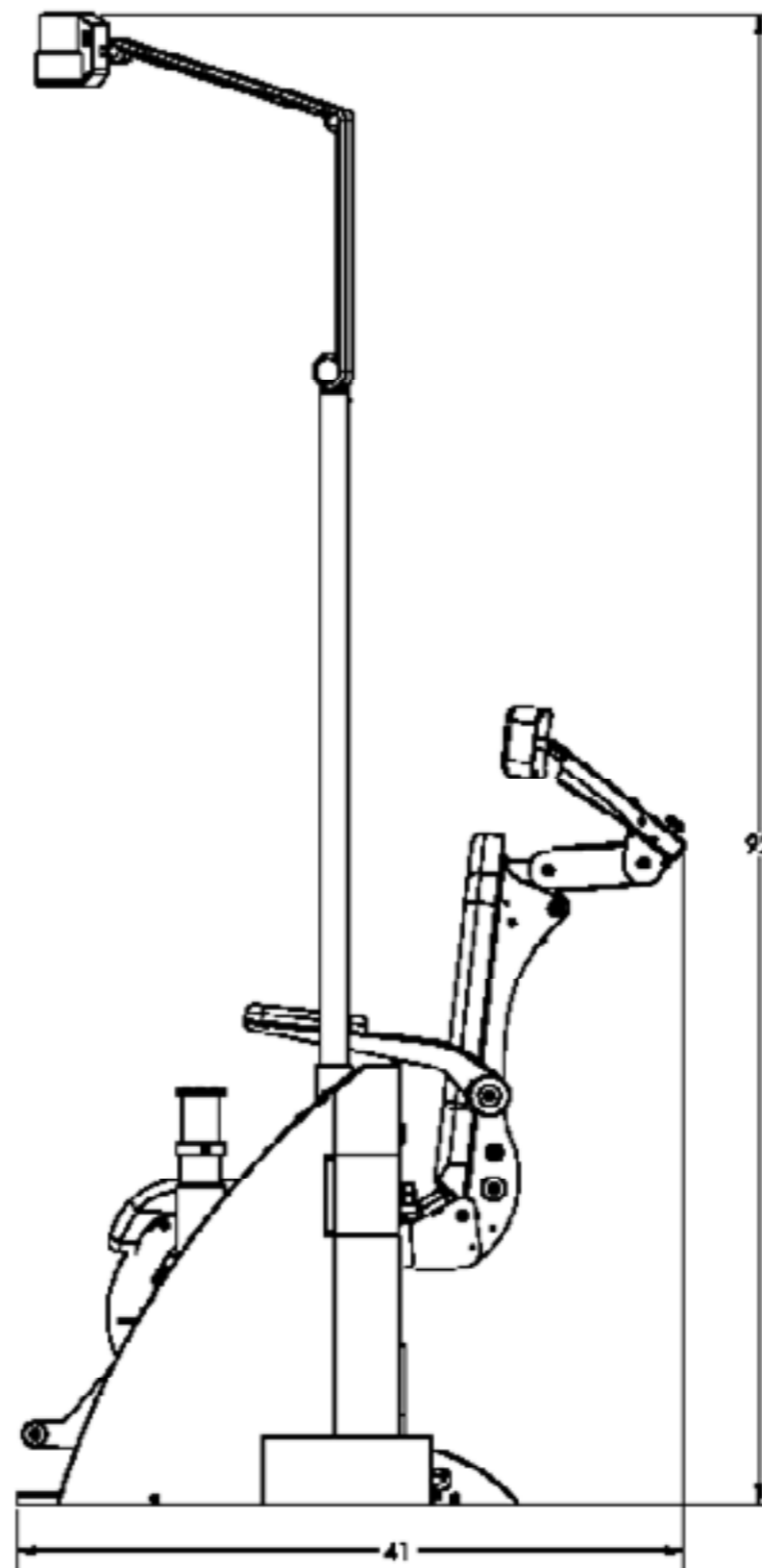
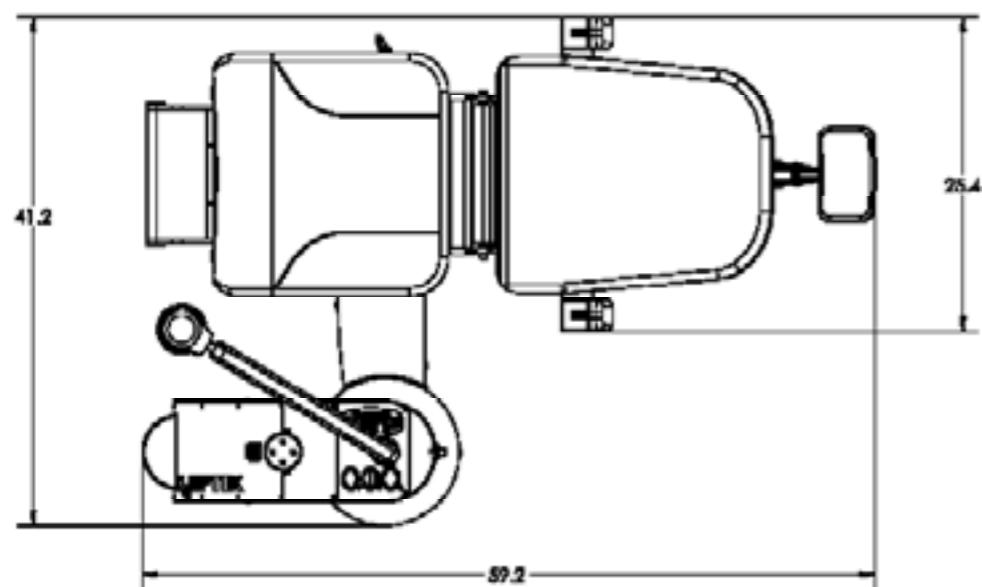
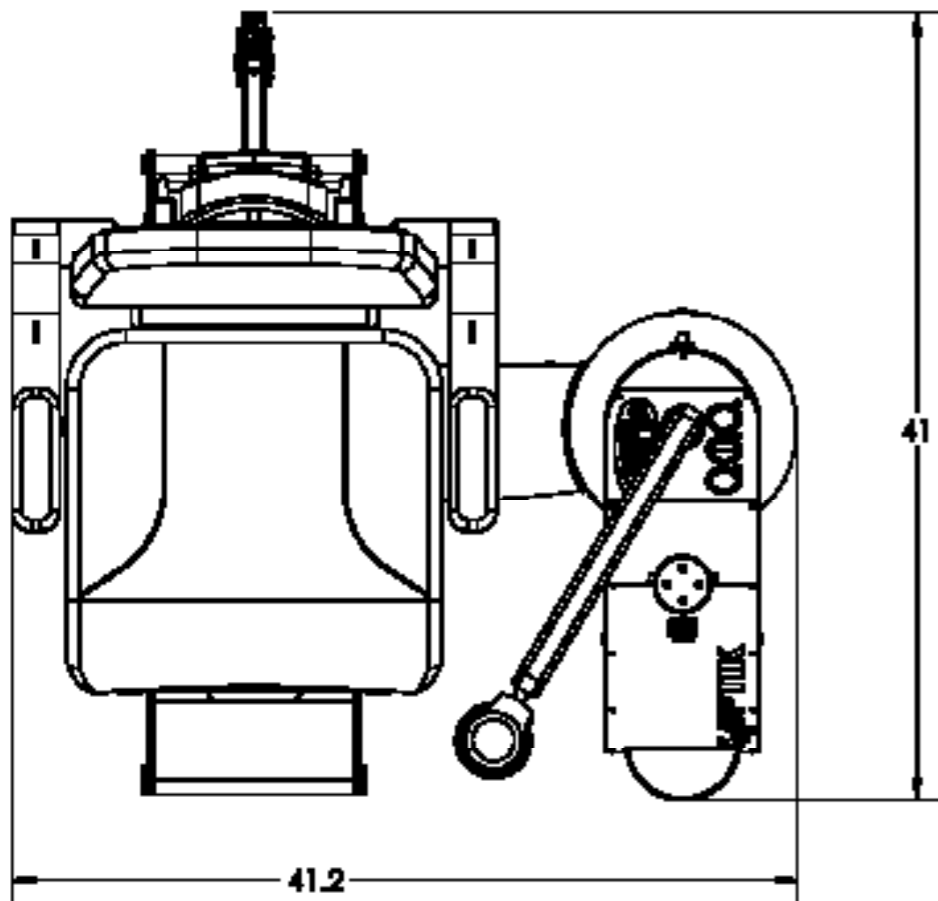
- Storage Tray
- Optional 3rd arm
- BIO Hanger





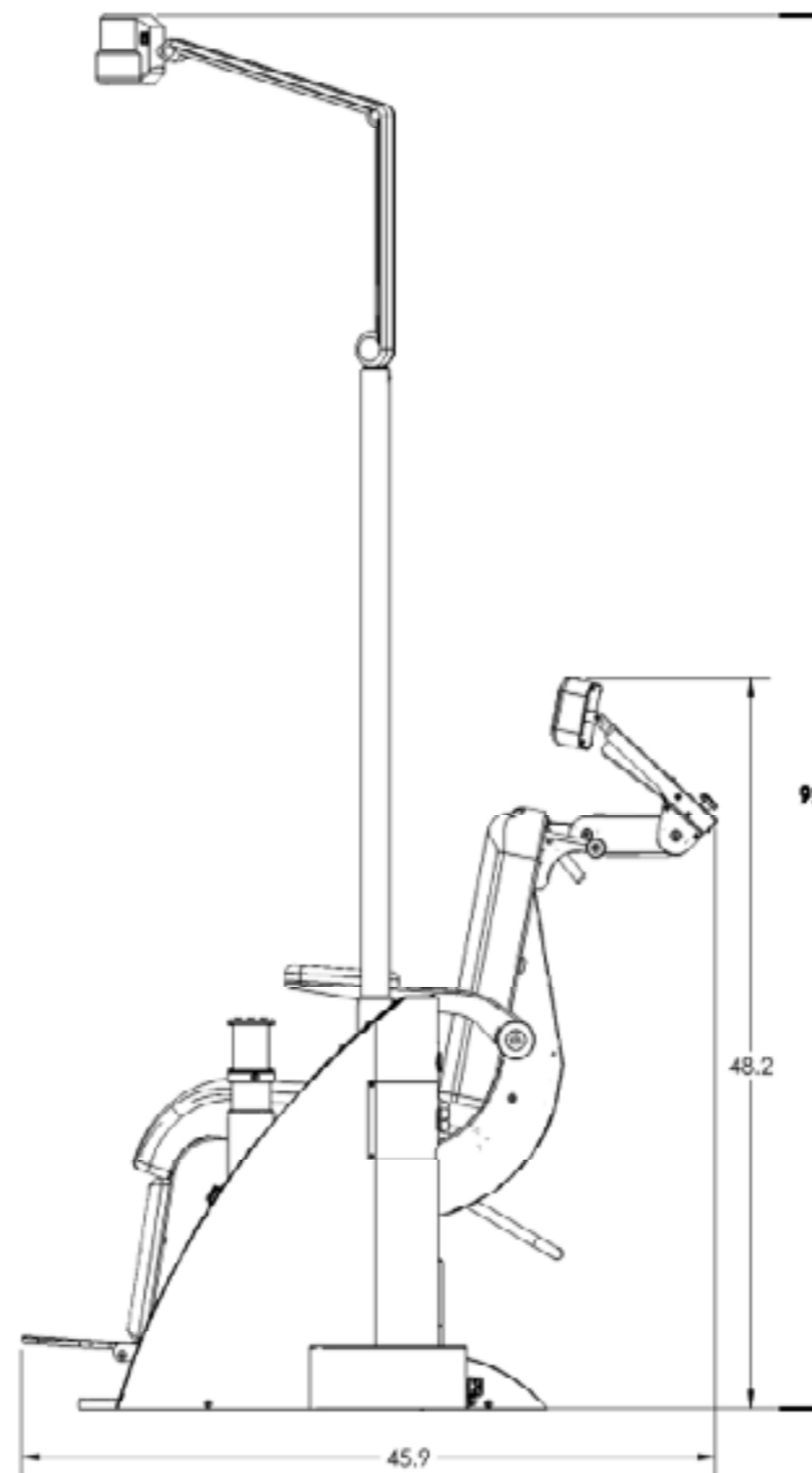
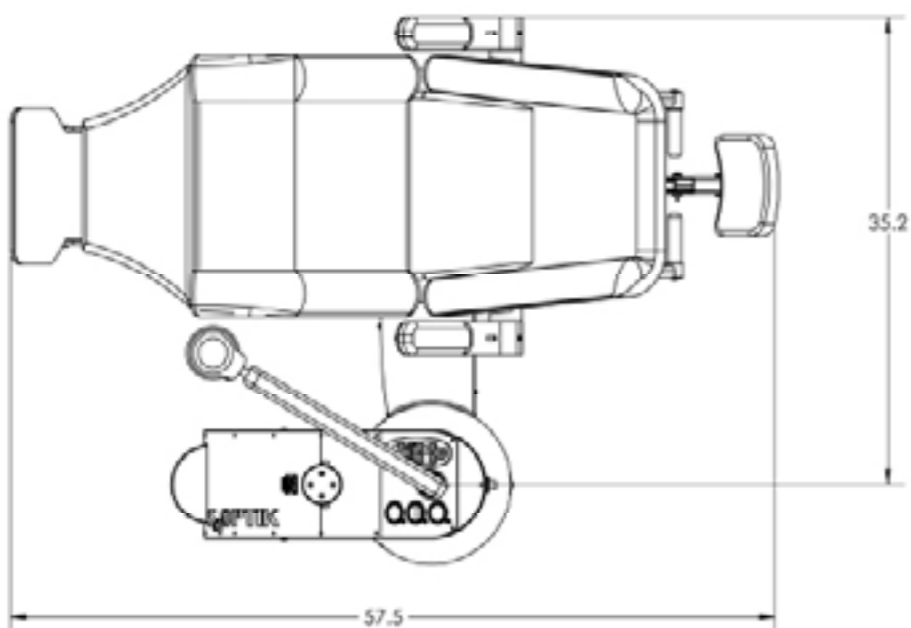
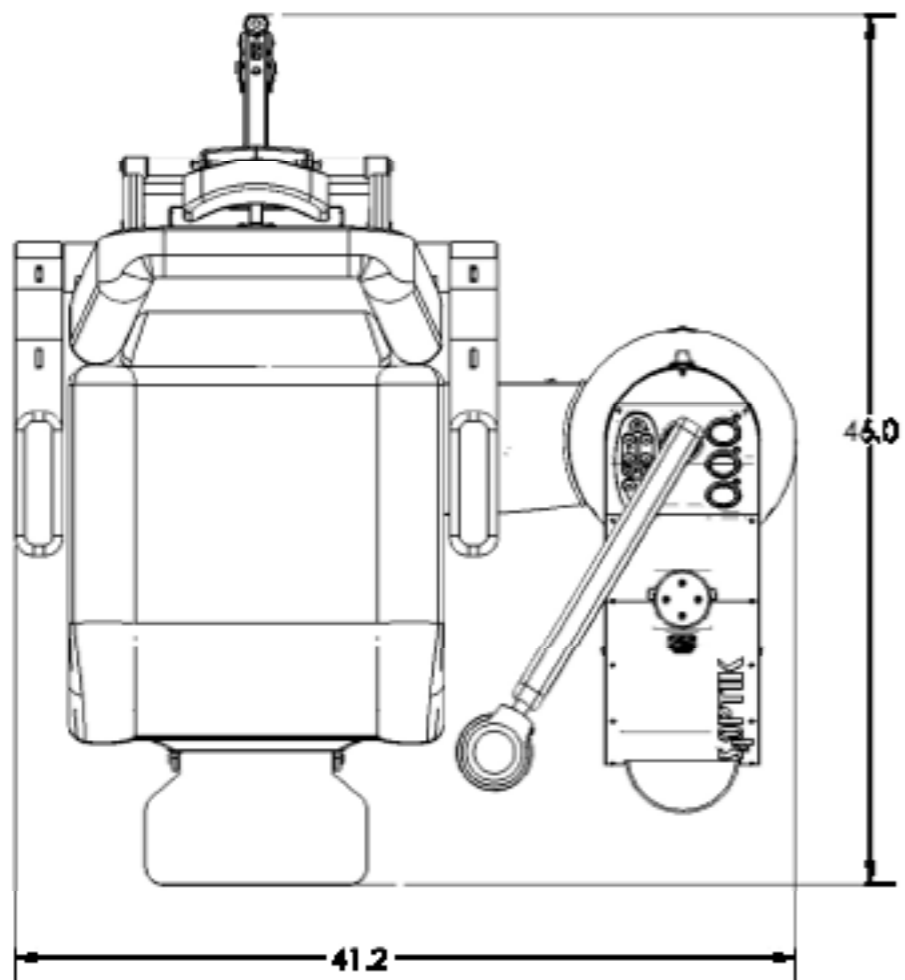
# 1000-CB specs

Shipping Weight: 445lbs  
Gross Weight: 430lbs  
Height Console: 29"  
Height Pole: 68"



# 1800-CB specs

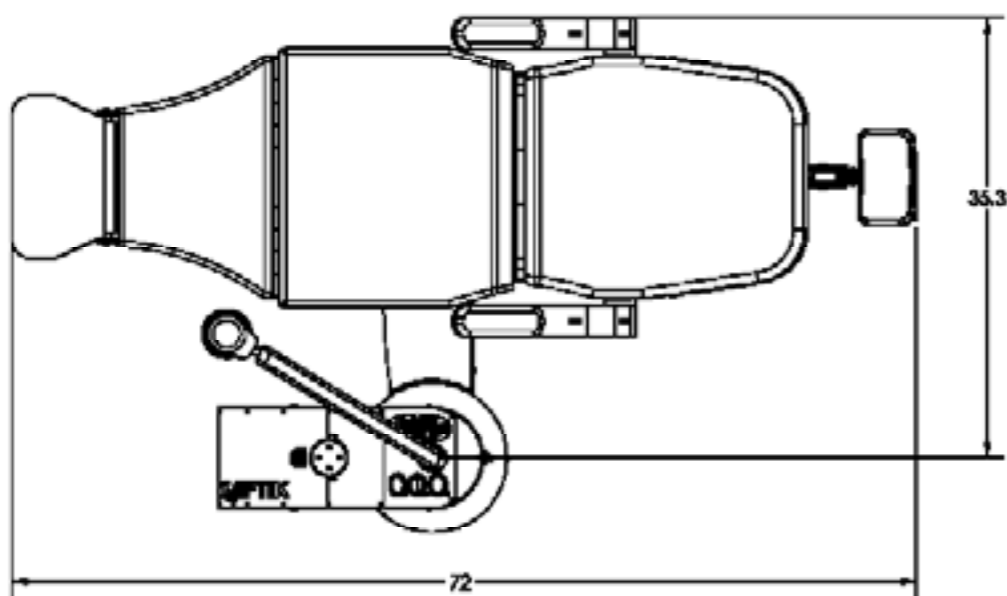
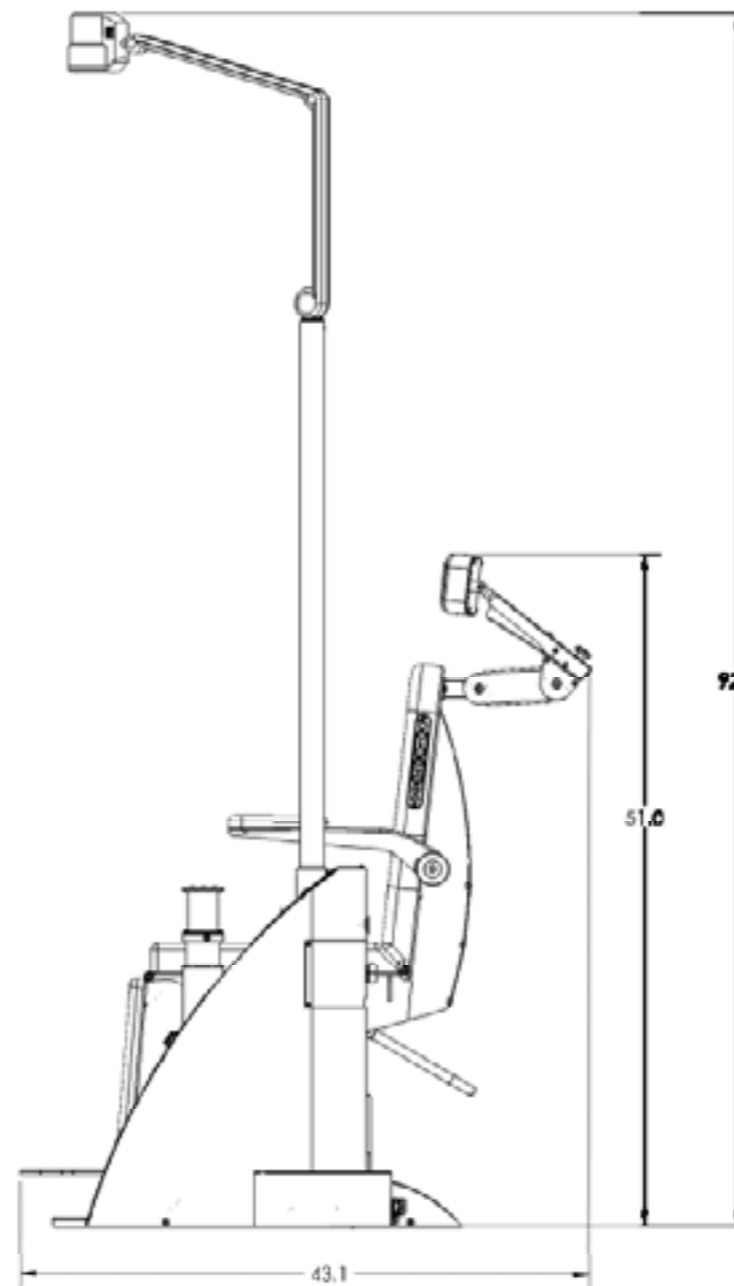
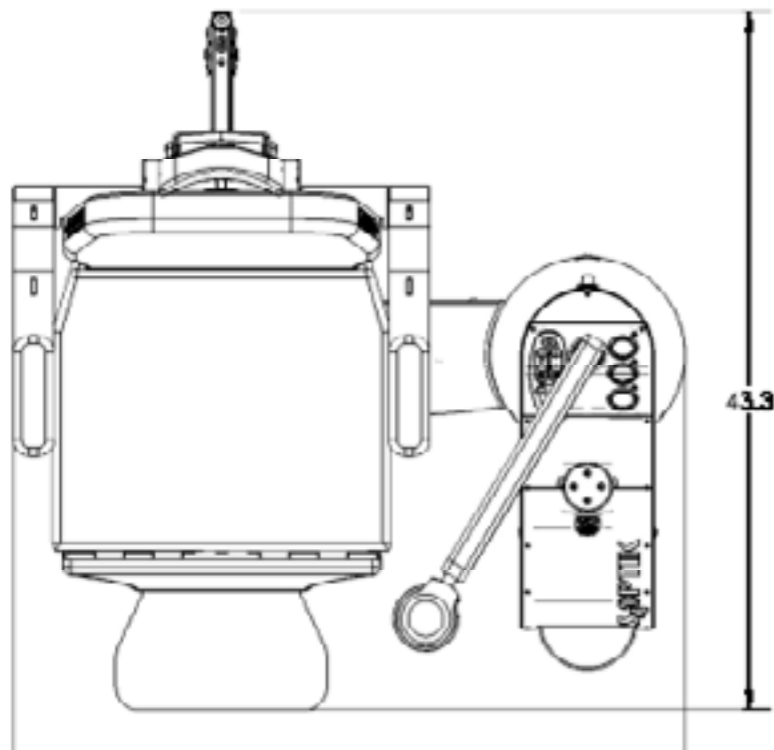
Shipping Weight: 465lbs  
 Gross Weight: 405lbs  
 Height Console: 29"  
 Height Pole: 68"



# 2000-CB specs

Shipping Weight: 475lbs  
Gross Weight: 400lbs  
Height Console: 29"  
Height Pole: 68"





# 2500-CB specs

Shipping Weight: 490lbs  
 Gross Weight: 430lbs  
 Height Console: 29"  
 Height Pole: 68"

## About S4OPTIK

Modern Design, Quality Materials, Exceptional Value.

Understanding the unique needs of eye care practices all over the world, S4OPTIK delivers extraordinary value in high quality diagnostic equipment and accessories. With modern designs to enhance your office environment, competitive prices to help you manage your costs, and an industry leading warranty, S4OPTIK eye care instruments help you deliver the very best in patient care. Contact us today for pricing.

BR-COMBO-EN-04/17-1.02