

# S4OPTIK



## **INSTRUMENT STAND**

Model 2000-ST

Add a superior achievement in engineering  
to your practice with the S4OPTIK 2000-ST  
Instrument Stand.



# stand features

## Instrument Console

- Accommodate all NiCad powered hand-held instruments with three rechargeable wells
- Deliver efficient patient care with logically positioned, durable membrane switches for chair up/down control and main power
- Overhead lamp with rheostat
- Binding post (BIO) control with rheostat

# stand features

## Slit Lamp Arm

Add a superior achievement in engineering to your practice with this fully counterbalanced arm featuring full function and range

- Convenient lock/release mechanism at your fingertips
- Easily accommodate all patients, including those in wheelchairs, with 13.5" (34.2cm) range of travel and counter balance up to 60lbs (27.2kg)
- Choose from right-handed or left-handed up/down switch configuration with reversible arm positioning
- Conveniently located chair elevation controls



# stand features

## Upper Arm (Refractor)

- Support natural and comfortable hand movements with the lock/release lever
- Engage a single lock mechanism in all three dimensions (forward/backward/vertical)
- Enjoy precise and effortless positioning with the 12.5" (31.75cm) vertical range and counter balance up to 20lbs (9.1kg)

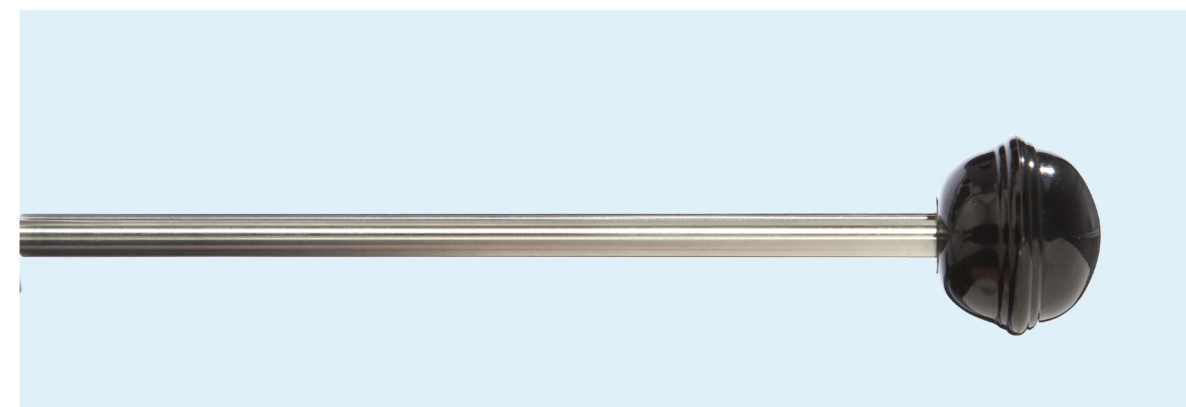


# stand features

Halogen  
Overhead Light

- Combine form and function with the modern design of this long-lasting halogen lamp
- Use bright, direct light for general lighting or minor procedures
- Rely on durable metal lamp arm construction for stable, one-handed movements
- Safe, low-voltage (12V) overhead lamp

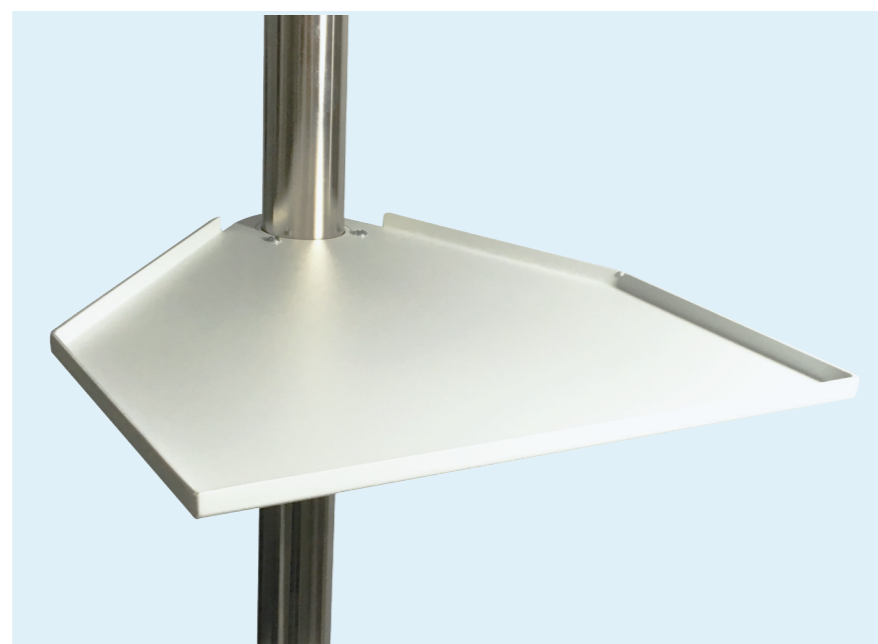




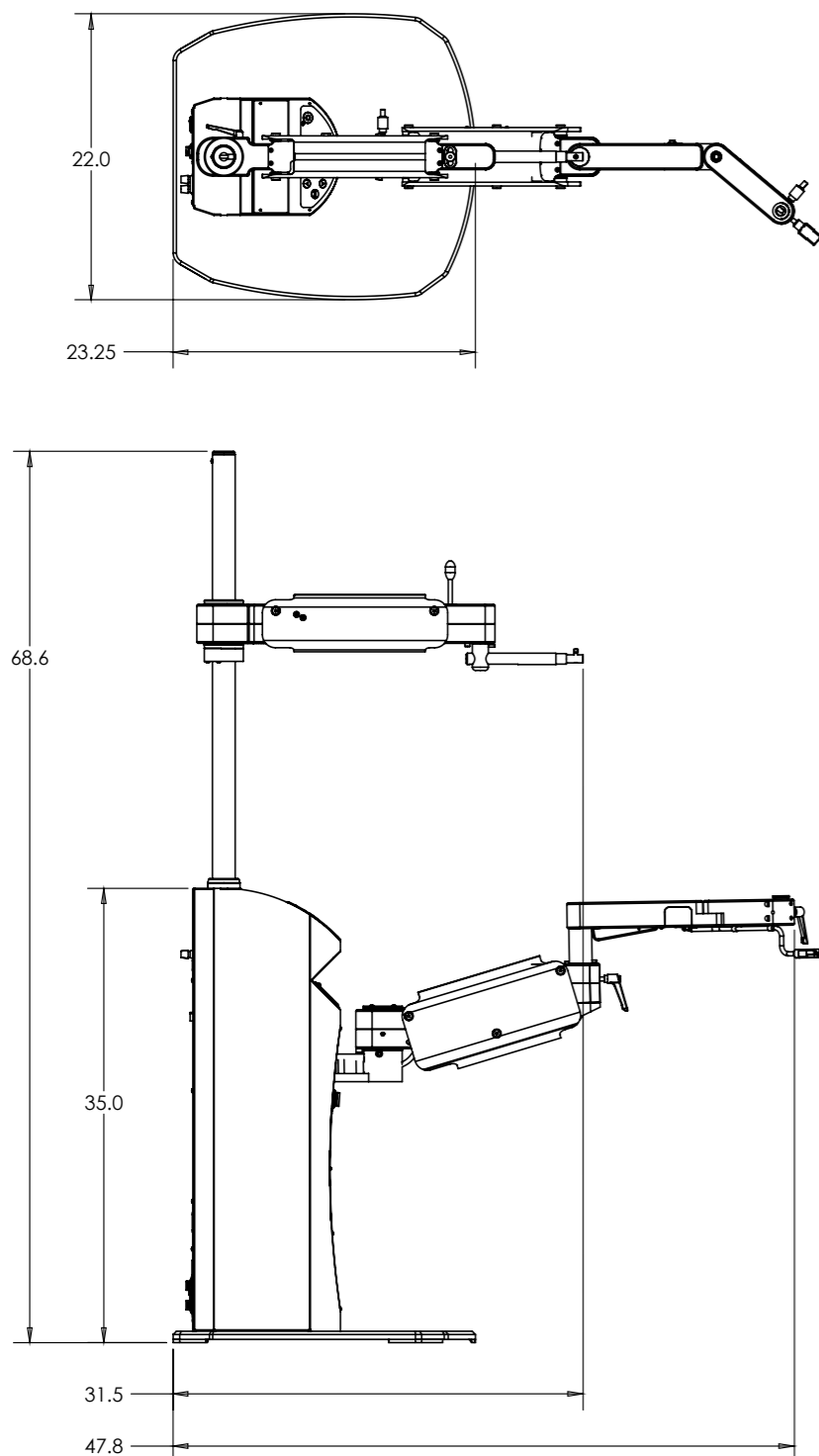
# stand options

## Extra Features

1. BIO Hanger
2. Storage Tray
3. Optional 3rd Arm
4. Keratometer Tray



# S4OPTIK Instrument Stand Model 2000-ST Specs



4 POSITION CPC CONNECTOR  
 (TAKES FOOTPEDAL CABLE)

120/230VAC RECEPTACLES

IEC C14 INPUT POWER MODULE  
 (TAKES POWER CORD WITH IEC C13 END)

4 POSITION CPC CONNECTOR  
 (TAKES CHAIR TO STAND CABLE)

Base: **22"x23.25"**

Height Console: **35"**

Height Pole: **68"**

**SLIT LAMP ARM**

Capacity: up to **60lbs (27.2kg)**

Range: **13.5" (34.2cm)**

**UPPER ARM (REFRACTOR)**

Capacity: up to **20lbs (9.1kg)**

Range: **12.5" (31.75cm)**

## About S4OPTIK

Modern Design, Quality Materials, Exceptional Value.

Understanding the unique needs of eye care practices all over the world, S4OPTIK delivers extraordinary value in high quality diagnostic equipment and accessories. With modern designs to enhance your office environment, competitive prices to help you manage your costs, and an industry leading warranty, S4OPTIK eye care instruments help you deliver the very best in patient care. Contact us today for pricing.

BR-2000-ST-EN-04/17-1.02